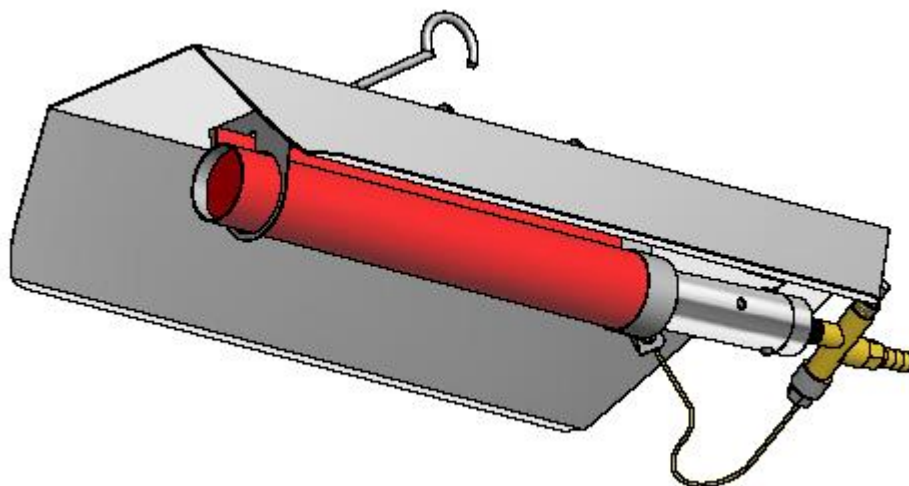


MANUAL
INFRA-RED GAS BROODER
INFRA-RED NET JRL-F14



AGRINNOVATE COMPANY LIMITED.

1469/1 Teparak

Muang samutprakarn district

Samutprakarn 10270 THAILAND.

TEL: 081 642 5140, 02 754 4161

FAX: 02-7559019

EMAIL: info@jrslsiam.com

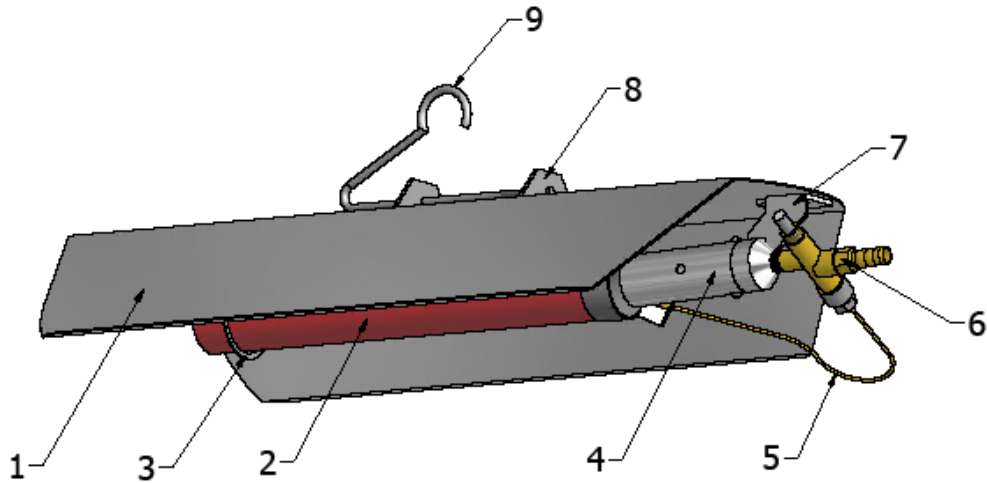
SPECIFICATION

<i>Power of heat</i>	<i>13,950 btu.hr.</i>
<i>Fuel</i>	<i>NG, LPG</i>
<i>Gas Pressure</i>	<i>Pressure up to 5 PSI</i>
<i>Nozzle Dia.</i>	<i>0.6 mm.</i>
<i>Type of burner</i>	<i>Infra-red net burner</i>
<i>Ignition</i>	<i>Manual Ignition</i>
<i>Reflector</i>	<i>Stainless Steel Cover</i>
<i>Safety Device</i>	<i>Magnetic system shut off when out of flame</i>
<i>Dimension</i>	<i>110x260x550 mm.</i>
<i>Net Weight</i>	<i>1.80 Kgs.</i>
<i>Gross Weight</i>	<i>2.30 Kgs.</i>

FEATURES OF INFRA-RED NET GAS BROODER JRL-F14

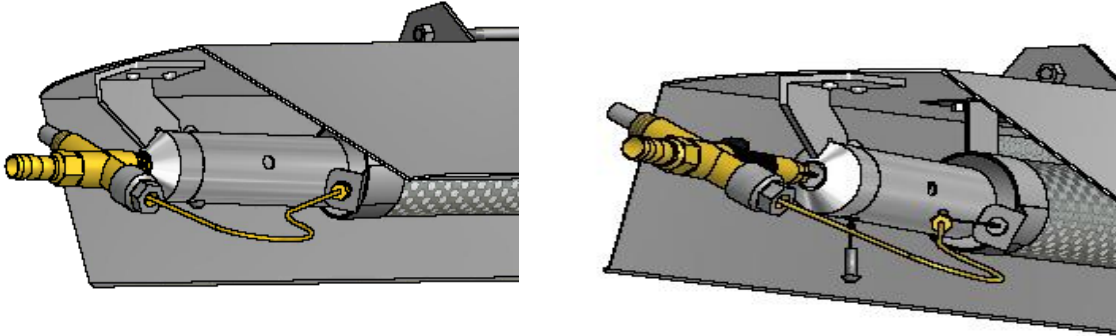
- 1. Designed especially for animals. The temperature can be adjusted by the hanging level from the floor. The Recommended height is between 0.8 meter and 1.2 meters.*
- 2. JRL-F14 is complete combustion the infrared grill from Europe.*
- 3. Durable Fragile*
- 4. JRL-F14 will shut off gas if temperature is cool down or no more combustion within a few minute*

PART LIST INFRA-RED NET GAS BROODER JRL-F14

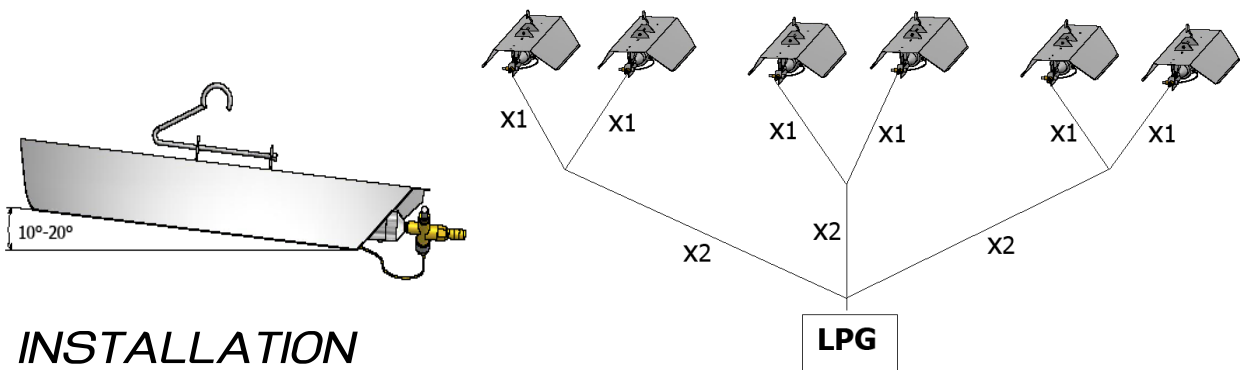


<i>INFRA-RED GAS BROODER</i>		
<i>Part No</i>	<i>Part List</i>	<i>Q'TY</i>
<i>1</i>	<i>Reflector</i>	<i>1</i>
<i>2</i>	<i>Infar-red net</i>	<i>1</i>
<i>3</i>	<i>Supporter</i>	<i>1</i>
<i>4</i>	<i>Burner</i>	<i>1</i>
<i>5</i>	<i>Thermocouple</i>	<i>1</i>
<i>6</i>	<i>Safety device</i>	<i>1</i>
<i>7</i>	<i>Burner Hanger</i>	<i>1</i>
<i>8</i>	<i>Upper Hanger</i>	<i>2</i>
<i>9</i>	<i>Hook</i>	<i>1</i>
<i>*</i>	<i>Screw and nut M4x10</i>	<i>2</i>
<i>*</i>	<i>Screw and nut M3x8</i>	<i>2</i>
<i>*</i>	<i>E-ring</i>	<i>1</i>

ASSEMBLY



1. Fix Assembly Safety device and Thermocouple with burner to Body it by screw M4
2. Push the safety device into a burner
3. Bend Thermocouple and attach to infra-red net with caution and lock to bucket



INSTALLATION

JRL-F14 Should be hang at an angle of 10-20 degrees. If multiple trailers gas line must be equal for all, and the pressure should not exceed 5 psi

OPERATION

1. Blue plastic must be removed before use
2. Adjusting the pressure at 5 PSI
3. Press safety valve and ignition flame on it for 30 seconds (at safety device)
4. Adjust the pressure of gas to get the heat as needed

MAINTENANCE

JRL-F14 should be cleaned Infra-red net must lack of dust before use. Air blow is accepted.